

FIRMWARE VERSION: 3.0.2
DATE: OCTOBER 3rd, 2024
THIS IS A RECOMMENDED UPDATE

FIXED ISSUES

- Update for latest sensor version
- Backward compatibility with all sensors
- Small boot time improvement

UPDATE INSTRUCTIONS

1. Download firmware v3.0.2 from website onto PC and unzip onto local hard drive.
2. Push the power button to turn the camera on. Wait for camera to completely boot. (Loading screen will change to a live image)
3. Connect the micro USB cable to the USB port under the protective cap as shown in **FIGURE 1**
4. The “TXS (D:)” drive should open automatically.
5. Drag the new firmware file “txs_fw302-secure.swu into camera’s Update folder as shown in **FIGURE 2**
6. File will load to 100%
7. Eject the camera from the USB device manager.
8. Unplug the USB cable from camera
9. Push power button to turn camera back on and allow software to update. Screen may flash several times and turn blue during update. Update should take no longer than 2 minutes.
10. After software installation is complete, verify that the screen is showing firmware version FW v3.0.2. (See **FIGURE 3**)

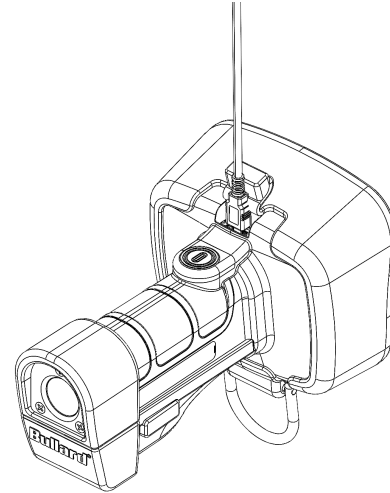


FIGURE 1

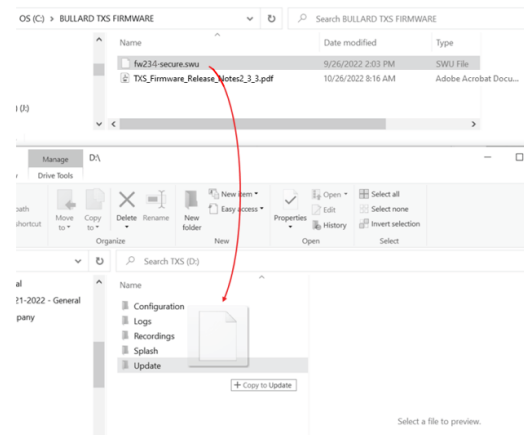


FIGURE 2

FREQUENTLY ASKED QUESTIONS

Why is there no longer a progress bar?

This was no longer needed due to the reduction in boot time.

How can I tell if my camera needs the new firmware?

Power on the camera and identify the firmware version shown above the progress bar as in Figure 3 above. If this is 2.3.2S or earlier, then please update the firmware.

Where can I find the firmware download files?

Firmware files are located in the support section of the Bullard website at www.bullard.com/TXS

What operating system is compatible with the update process?

The software updater has been tested for compatibility on Window 10/11 products. **This update is not compatible with Mac or Unix operating systems.**

Who should I contact if I need help?

Contact Bullard Customer Service at 877-285-5273 or info@bullard.com or your authorized Bullard distributor.

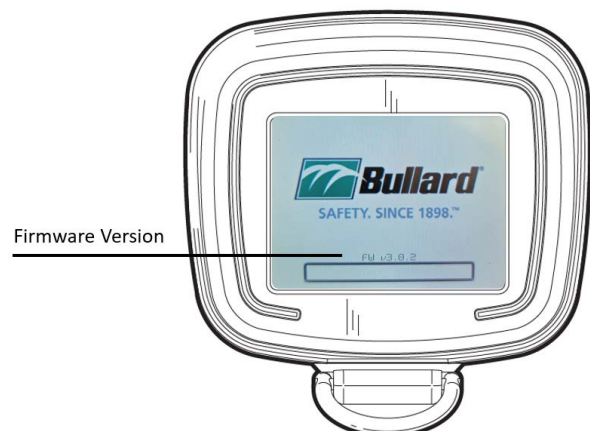


FIGURE 3