

Key Features

- Will supply air to one or two or three workers depending on the style of respirator(s) being used.
- Oil Less
- No CO Monitoring Required
- No Calibration Required
- No High Temperature Alarm Required

Performance Specs

- Pump Design: Rotary Carbon Vane (4 vanes)
- Maximum Pressure: 15 psig (103kPa)
- Total Air Flow: 10 CFM @ 5 psig (283 lpm @ 34 kPa)
- Inlet Filter: Medium Efficiency
- Outlet Filter: Carbofine with activated carbon
- Dimensions:
 - Width 8 inches (20.3 cm)
 - Length 16.3 inches (41.4 cm)
 - Height 13.5 inches (34.3 cm)
- Shipping Weight: 51 lbs.
- Shipping Dimensions: 21 x 12 x 16

Electrical Motor Specs

- Enclosure: Open, Drip-proof
Meets UL requirements, CSA Approved
- Class: National Electrical Code
Class B, Design N, Code K
- H.P.: $\frac{3}{4}$
- Phase: Single
- Cycles: 60 Hz
- Volts: 115
- AMPS: 10.2 @ 115 V.
- Service Factor: 1.25
- Protector: Internal Thermal Overload

Pump Warranty – 1 year Warranty

Bullard warrants to the original purchaser that the Free-Air pump will be free of defects in material and workmanship under normal use and service for a period of (1) year from the date of purchase. Bullard's obligation under this warranty is limited to repairing or replacing, at its option, articles that are returned within the warranty period and that are, after examination, shown to Bullard's satisfaction to be defective, subject to the following limitations:

- Free-Air pump must be returned to Bullard with shipping charges prepaid.
- Free-Air pump must not be altered from its original factory configuration.
- Free-Air pump must not have been misused, subjected to negligent use, or damaged in transport.
- The date of purchase is within one year warranty period. (A copy of the purchaser's original invoice showing the date of purchase is required to validate warranty coverage).

In no event shall Bullard be responsible for damages for loss of use or other indirect, incidental, consequential or special costs, expenses or damages incurred by the purchaser, notwithstanding that Bullard has been advised of the possibility of such damages.

ANY IMPLIED WARRANTIES, INCLUDING WARRANTIES OF MERCHANTABILITY AND FITNESS FOR A PARTICULAR PURPOSE, ARE LIMITED IN DURATION TO ONE (1) YEAR FROM THE DATE OF PURCHASE OF THIS PRODUCT

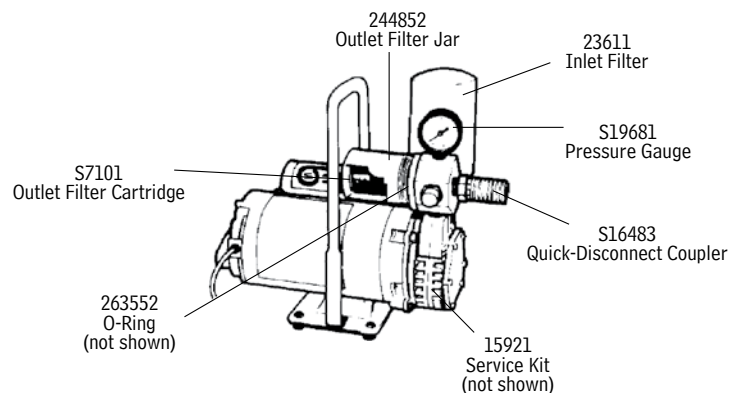
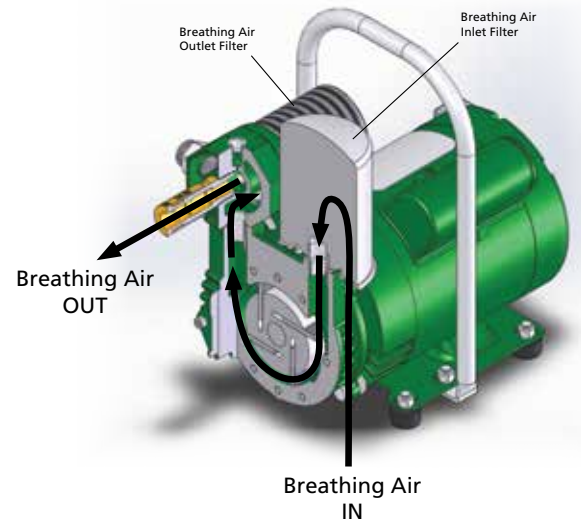
Written permission must be obtained before returning any material for any reason whatsoever. Material returned for credit will be subjected to factory inspection. In-warranty product of current design, will be subjected to a re-handling charge less freight originally allowed. All material must be shipped with transportation charges prepaid. Bullard will issue a Return Material Authorization number and shipping label which must be affixed to all returns to facilitate and reduce risk of loss.

Americas:
Bullard
 1898 Safety Way
 Cynthiana, KY 41031-9303 • USA
 Toll-free within USA: 877-BULLARD (285-5273)
 Tel: +1-859-234-6616
 Fax: +1-859-234-8987

Europe:
Bullard GmbH
 Lilienthalstrasse 12
 53424 Remagen • Germany
 Tel: +49-2642 999980
 Fax: +49-2642 9999829

Asia-Pacific:
Bullard Asia Pacific Pte. Ltd.
 LHK Building
 701, Sims Drive, #04-03
 Singapore 387383
 Tel: +65-6745-0556
 Fax: +65-6745-5176

EDP10 Free-Air® Pump Airflow



©2013 Bullard. All rights reserved.
 Free-Air is a registered trademark of Bullard.