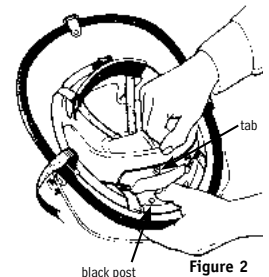
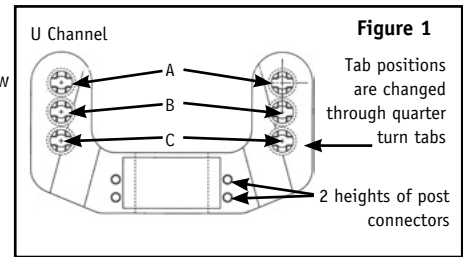


## Get a Custom Fit with the U-Fit System

Congratulations! Your helmet was designed with the U-Fit System, offering 12 custom comfort settings. Follow the instructions below to adjust the ride and balance of your helmet.

1. Try on your helmet and check the initial balance, fit and comfort by rotating your head.
2. Remove the Ear Neck Protector to better see how to adjust the back of the helmet.
3. Pop the dark colored "U Channel" (Figure 1) away from the black inner liner. There is one "U Channel" in the front of the helmet and one in the back of the helmet.
4. You can tailor the fit by adjusting the tabs, which control ride height, and posts, which control forward / backward / level balance.
5. Adjust the ride of your helmet. There are three tab positions on the "U Channel": A, B, and C. Each of the tab positions affects the location of the ratchet by approximately one inch. For the lowest "ride" on your head, position the tabs to "A". For a higher "ride", position the tabs to "B" or "C".
6. Adjust the balance of your helmet. There are two post positions, 1 and 2 on the "U Channel". Change the post position to adjust helmet balance.
7. Next, try the helmet back on your head to see if the adjustments to the back of the helmet were helpful. You may want to make another round of adjustments as described above to maximize the balance and fit. Typically firefighters don't need to adjust the front of the helmet. If however, the adjustments to the rear of the helmet don't meet your needs, you can work on the front of the helmet by first removing the browpad. As with the back of the helmet, you can adjust the height and post position on the U Channel piece. Keep in mind that the front of the helmet is a key interface to the SCBA, and most people prefer position C.
8. Lastly, when making your adjustments, re-install the Ear Neck Protector and Browpad, using your fingers to smooth the surfaces to avoid bunching.

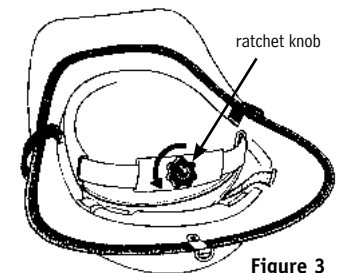


### To size the Sure-Lock® ratchet headband:

1. Turn the ratchet knob counterclockwise until headband is at largest size (Figure 3).
2. Place the helmet on your head and turn ratchet knob clockwise until headband is snug and comfortable.

### To raise or lower faceshield:

1. Release tension knobs found on both sides of the helmet.
2. Tighten knobs once faceshield is in desired position.



## NOTES

- Performance properties of NFPA 1971, *Standard on Protective Ensembles for Structural Fire Fighting and Proximity Fire Fighting* cannot be tested by users in the field.
- NFPA 1500, *Standard on Fire Department Occupational Safety and Health Program* requires members who engage in or are exposed to the hazards of structural firefighting shall be provided with and shall use, a protective ensemble that shall meet the applicable requirements of NFPA 1971.
- The protective ensemble must be used by members only under direct supervision of their fire department or employer in a manner consistent with OSHA 29 CFR 1910.132 General Requirements of Subpart I, Personal Protective Equipment.
- For information on NFPA 1851, *Standard on Selection, Care and Maintenance* and basic cleaning and inspection guidelines, visit [www.bullard.com/trainonline](http://www.bullard.com/trainonline).

## ⚠ WARNING

Read all instructions and warnings before wearing this helmet.

Only the end user may separate this manual from the element. Manual must be removed prior to putting the helmet into service.

After removal from the wearer, the helmet should be inspected for damage and soiling after each use. The helmet should be adjusted by means of the adjustment points provided to permit a proper fit that does not interfere with the SCBA while in use. These adjustments should be done prior to actual structural fire fighting activities. Helmets damaged or deteriorated beyond economical repair should be removed from service.

Failure to follow these instructions could cause death or serious injury.

## Bullard Fire Helmet Warranty

Bullard offers a best in class warranty. Bullard warrants to the original purchaser that the firefighter helmet and non-electronic components are free of defects in materials and workmanship under normal use and service for a period of five (5) years from the date of manufacture on the helmet shell and lifetime (as defined in NFPA 1851: ten years) warranty on the non-electronic components. The Bullard obligation under this warranty is limited to repairing or replacing articles that are returned within the warranty period, shown to be defective after inspection by Bullard, and subject to the following limitations:

Helmet must be returned to Bullard with shipping charges prepaid

Helmet must not be altered from its original factory configuration

Helmet must not have been abused, neglected or damaged in transport

In no event shall Bullard be responsible for consequential damages incurred by the user or a third party, whether those damages include loss of use or other indirect, incidental, or consequential damages, special costs or expenses. Bullard offers no warranty on components or accessories NOT manufactured or supplied by Bullard.

ANY IMPLIED WARRANTIES, INCLUDING WARRANTIES OF MERCHANTABILITY AND FITNESS FOR A PARTICULAR PURPOSE, ARE LIMITED IN DURATION TO FIVE (5) YEARS ON THE HELMET SHELL AND LIFETIME (NFPA 1851: TEN YEARS) ON THE NON-ELECTRONIC COMPONENTS FROM THE DATE OF MANUFACTURE OF THIS PRODUCT.

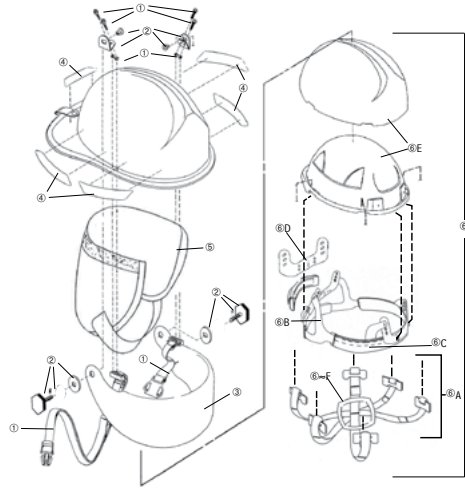
RETURN AUTHORIZATIONS: Contact Customer Service to obtain written permission to return any product. Material returned for credit will be subject to factory inspection. Current products or products under warranty will be subject to a rehandling charge less original freight charge. Obsolete or special order products cannot be returned without written permission.

## ⚠ WARNING

Do not use solvents or paint thinners on Bullard helmets, as they could permanently mar surfaces or degrade the protective properties of helmet components. Failure to follow these instructions could reduce the effectiveness of the helmet and result in death or serious injury.



## Replacement Parts for FXA-1 Helmet



- ① R146 Nomex® chin strap with quick-release buckle
- ② R151 Faceshield mounting hardware kit
- ③ R330 4" hard-coated PPC faceshield for FXA-1
- ④ R533 Retro-reflective fluorescent, adhesive backed strips, 1" x 4": Lime-Yellow (set of 5)
- ⑤ R727 Ear/neck protector for FXA-1
- ⑥ R945 Replacement inner crown system for FXA-1. Includes inner shell, Sure-Lock® ratchet headband, brow pad, urethane impact liner, 6-point nylon crown strap assembly, and velcro strips
- ⑥A R115 Nylon crown straps with crown pad
- ⑥B R637 Sure-Lock ratchet headband
- ⑥C R635 Brow pad
- ⑥D R628 Ratchet height adjuster
- ⑥E Impact liner/inner shell not available individually
- ⑥F R636 Crown pad

### Helmet Models

- FXA-1 Fiberglass helmet with high heat accessories

## Pre-Use Information

### Marking Recommendation and Restrictions:

Use only accessory equipment of the type included in the original helmet or approved by Bullard. Using unauthorized accessories may dramatically change the performance of the helmet.

All helmet markings (e.g. front identification shields, title tapes, decals, retro-reflective trim, etc.) must either be supplied by a Bullard authorized fire service distributor or authorized for use in writing by Bullard.

All helmet accessories (e.g. flashlight brackets, communications head sets, etc.) must be either supplied by a Bullard authorized fire service distributor or authorized for use in writing by Bullard.

## Cleaning

Remove ear/neck protector, headband, and crown straps. Clean inner and outer shells with mild soap or detergent. Wash the ear/neck protector, headband, brow pad, crown pad, and crown straps in warm, soapy water and air dry at room temperature. Clean faceshields with mild detergent, rinse thoroughly with clean water, and dry with a soft cloth.

Users should not wear helmets that are not thoroughly cleaned and dried.

## Contamination and Decontamination

Special precautions must be taken if your protective helmet becomes contaminated with chemical or biological hazardous materials. The guidance for these precautions should be coordinated with the appropriate (local, state, and federal) authorities having jurisdiction for hazardous materials (HAZMAT).

Contaminated helmet ensembles should be isolated, contaminate(s) identified, and bodily contact should be avoided. Avoid spreading the contamination to interior spaces of buildings or vehicles, any living quarters, or personal belongings. If possible, seal the contaminated ensemble in a leak proof, sealable, air tight container. Disposal should be done in adherence to local, state, and federal laws. If the helmet is to be reused, it MUST be decontaminated before reuse. Decontamination should be performed using procedures established by decontamination professionals that will remove contaminate(s) while minimizing damage or compromise to the helmet. Failure to do so could result in increased risk of injury, illness, disease, or death.

### ⚠ WARNING

Bullard helmets are constructed with high quality materials and workmanship. They are engineered to provide limited protection against head injuries, when properly adjusted for fit, and when worn by firefighters during normal fire fighting activities. They are not designed for direct contact with flames or molten metal, or for protection against hazardous chemicals, biological, or radiological agents. Contact of these fire helmets with live wires should be avoided. NEVER ALTER OR MODIFY the helmet's design or construction without explicit written instructions from Bullard. Store Bullard helmets in a cool, dry place away from direct sunlight. Inspect your helmet and suspension system regularly, regardless of how often it is used. If you notice any sign of wear, damage, abuse, or environmental degradation, replace the shell and/or suspension immediately. If the helmet has sustained a forcible blow (impact), it must be replaced, even if there is no visible damage. Failure to observe these warnings and avoid potentially hazardous situations could result in death or serious injury.

Helmet model FXA-1 meets or exceeds all performance specifications under NFPA 1971.



CERT. MOD.

### Americas:

**Bullard**  
1898 Safety Way  
Cynthiana, KY 41031-9303 • USA  
Toll-free within USA: 877-BULLARD (285-5273)  
Tel: +1-859-234-6616  
Fax: +1-859-234-8987

### Europe:

**Bullard GmbH**  
Lilienthalstrasse 12  
53424 Remagen • Germany  
Tel: +49-2642 999980  
Fax: +49-2642 9999829

### Asia-Pacific:

**Bullard Asia Pacific Pte. Ltd.**  
LHK Building  
701, Sims Drive, #04-03  
Singapore 387383  
Tel: +65-6745-0556  
Fax: +65-6745-5176

©2018 Bullard. All rights reserved. Bullard, Sure-Lock, and Hard Boiled are registered trademarks of Bullard.

Nomex and Kevlar are registered trademarks of E.I. du Pont de Nemours & Company.

PBI is a registered trademark of Celanese Corporation.

Velcro is a registered trademark of Velcro USA. U.S. Patent No. 5,150,479.