

**88VXAK Oval Door/Gasket/Latch Assembly**  
For use with 88VX Series Airline Respirators

**Kit includes:**

- Inner lens
- Window frame
- Hinge pin
- Gasket
- Door latch bail



**BFW Box Front Window Frame**  
For use with 88VX Series Airline Respirators

**Kit includes:**

- Box front window frame
- Hinge pin
- Door latch bail
- Tempered glass lens



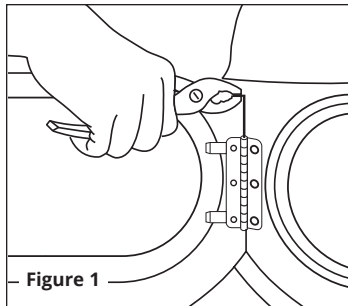


Figure 1

### Replacing window frame and latch bail:

1. Remove the old window frame by using pliers to pull out the hinge pin (figure 1).
2. Secure the new door frame with a new hinge pin (bent end of pin on top) (figure 2).
3. Install the new window frame latch onto the original over-center clamp. Position the latch bail into the holes of the clamp as shown (figure 3).
4. Check the installation for tightness and proper sealing by visually inspecting the seal around the window frame and gasket.

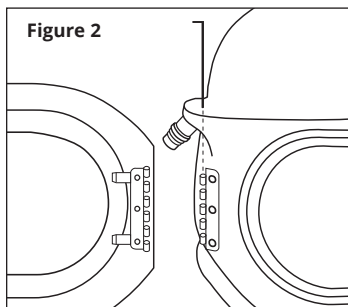


Figure 2

### Replacing window frame gasket:

1. Remove the inner lens by pushing it outward from the inside while at the same time peeling the edge of the gasket away from the helmet shell. Then remove the old gasket from the window frame, and insert the new green gasket by carefully feeding its groove onto the lip of the window. Be sure that the flat side of the gasket is facing the exterior of the helmet and the rounded surface is facing the interior. Keep the gasket centered in the window frame to prevent distortion.

**NOTE:** The ribbed side of the gasket will sit against the window frame when the outer lens is closed and latched. Keep the gasket centered in the window frame to prevent distortion of the inner lens and gasket when installed.

2. Check that the gasket is completely inserted around the window frame.

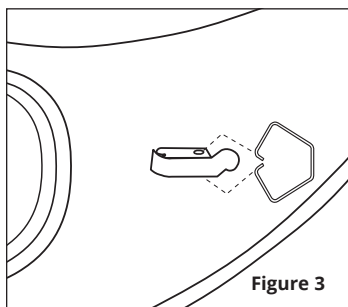


Figure 3

### Replacing inner lens:

1. After replacing the window frame gasket, insert a new inner lens by lifting up on the outside edge of the gasket and feeding the edge of the lens into the inside groove in the gasket. Keep working the lens all the way around the gasket until it is entirely inserted. Be sure to keep the inner lens centered in the gasket to prevent distortion.
2. Check that the inner lens is completely inserted all the way around the gasket.

**NOTE:** It is very important to have the inner lens and the window gasket sealed around the window opening of the 88VX helmet. This will help prevent airborne contaminants from getting around the inner lens/gasket seal.

#### ⚠ WARNING

Be sure the plastic 0.040" inner lens fits securely in the window frame gasket. Use only Bullard replacement lenses. Using non-Bullard manufactured lenses voids NIOSH approval. Use of non-Bullard lenses may allow contaminants to enter the respirator and could result in death or serious injury and delayed lung diseases including but not limited to silicosis, pneumoconiosis, or asbestosis.

#### ⚠ WARNING

**Failure to follow these instructions could result in death or serious injury.**

#### CALIFORNIA PROPOSITION 65 ⚠ WARNING

Cancer and Reproductive Harm - [www.P65Warnings.ca.gov](http://www.P65Warnings.ca.gov).

**Bullard Center**  
2421 Fortune Drive  
Lexington, KY 40509 • USA  
877-BULLARD (285-5273)  
Tel: +1-859-234-6616  
Fax: +1-859-246-0243  
[www.bullard.com](http://www.bullard.com)

**Americas:**  
E.D. Bullard Company  
1898 Safety Way  
Cynthiana, KY 41031-9303  
Toll free: 877-BULLARD (285-5273)  
Tel: 859-234-6616  
Fax: 859-234-8987  
[www.bullard.com](http://www.bullard.com)

**Europe:**  
**Bullard GmbH**  
Lilienthalstrasse 12  
53424 Remagen • Germany  
Tel: +49-2642 999980  
Fax: +49-2642 9999829  
[www.bullardextrem.com](http://www.bullardextrem.com)

**Bullard Asia-Pacific Pte. Ltd.**  
51 Changi Business Park Central 2  
#03-04 The Signature  
Singapore 486066  
Tel: +65 6745 0556  
[www.bullard.com](http://www.bullard.com)

